

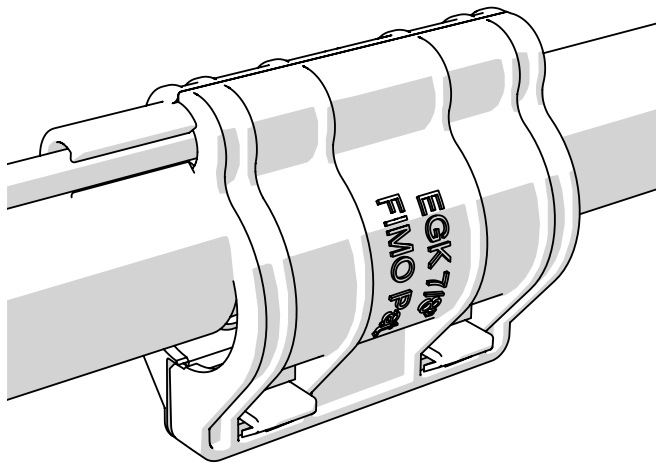
EGK PAT.

Grounding Kits

Copyright © Fi.Mo.Tec. S.p.A.
www.fimoworld.com

IST. 050 - REV. 0 - 05/15

INSTALLATION INSTRUCTIONS



⚠️ WARNINGS!

Installation of products must be performed by qualified, trained and experienced personnel. Installation personnel must be correctly and safely equipped. Mounting instructions and warnings must be read prior to installation. Warnings alert you to possible dangers about improper use of product. Failure to observe warnings may result in injury or death to you or others.



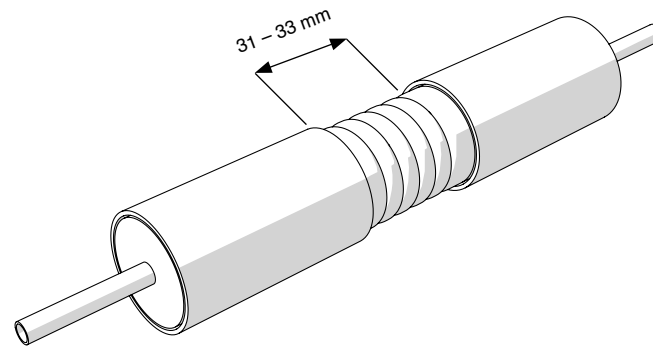
Fi.Mo.Tec. S.p.A.
is certificated ISO 9001
and RoHS DIRECTIVES
compliant.



All rights reserved.
Passing on and copying of
this document, use and com-
munication of its contents
not permitted without Fi.Mo.
Tec. S.p.A. prior consent.

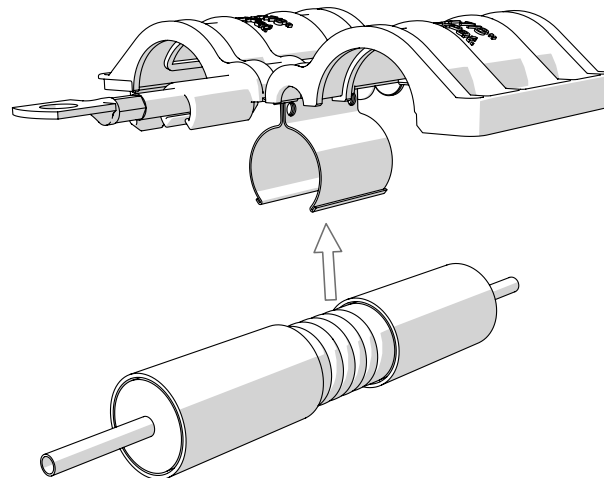


1



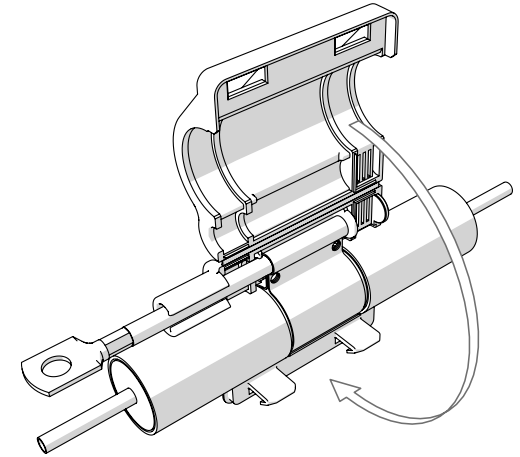
Strip off the cable (31 – 33 mm)

2



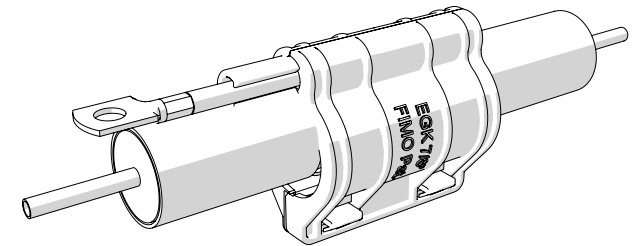
Remove protective paper from EGK and insert cable in inner contact

3



Verify correct position of inner contact in its housings, close plastic

4



Done!