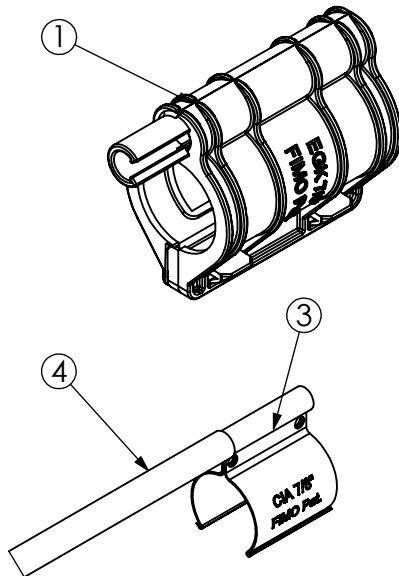
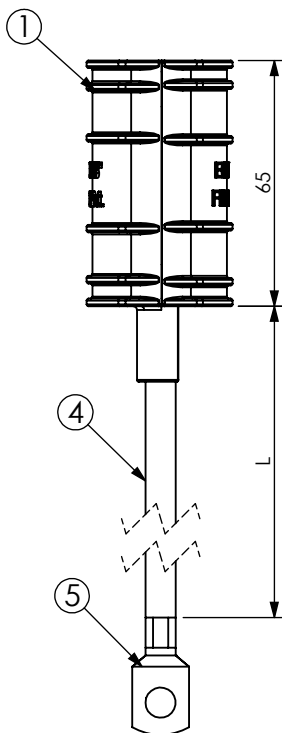
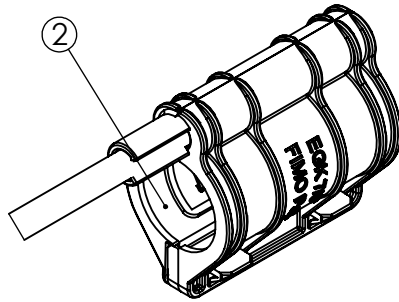
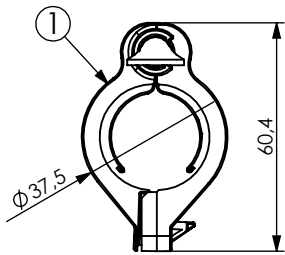


# PRODUCT DATA SHEET



## A) SPECIFICATIONS

- 1 Plastic hinged shell: P.A.
- 2 Sealant Isobutylene strip
- 3 Inner Contact: tinned brass
- 4 16 sqmm Connection cable:  
L=500 PE 7 wires copper cable.
- 5 Cable lug Ø8: Tinned copper

## B) RESISTANCE TESTS

### Waterproof test:

IP 68 (FIMO Test according to IEC60529 normative).

Contact Resistance  $\leq 1\text{mOhm}$

Maximum current handling : 100kA

Operating temperature : -40 °C + 130°C

## C) PACKAGING INFORMATION

Packing: 1 pcs in a bag

10 bags in a box.

Label indicating:

product code, article, quantity,

production batch,

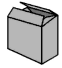

FIMO logo and figure.



( Customer code on request ).

## D) MOUNTING INSTRUCTIONS

IST 050

code	<b>6115080078</b>
article	<b>EGK 7/8"</b>

<b>D</b>	<b>L</b>		
26-28	500	10	0.135kg

RI	DATE	DR	DATE	AP	Description:
02					<i>No Tools Grounding Kit</i>
01					
00	08/04/2015	G.S.	08/04/2015	A.V.	
1 <sup>ST</sup> EMISSION					
 Setting Installation Standards					Use:  <i>Grounding kits for coaxial cables.</i>