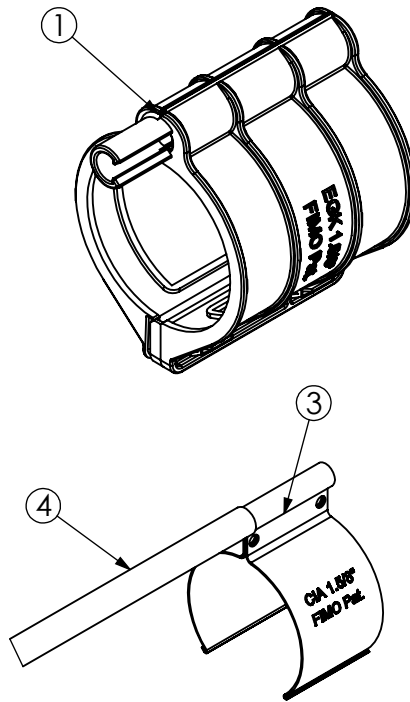
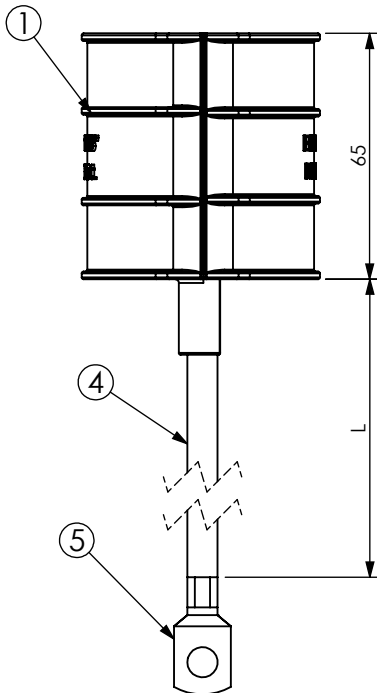
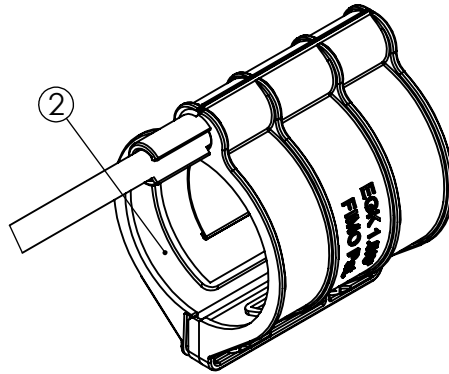
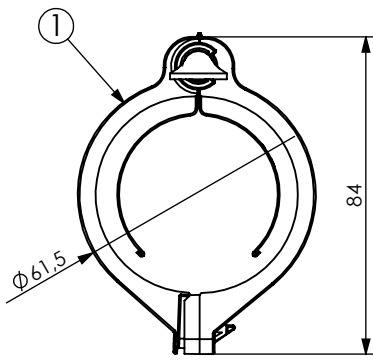


PRODUCT DATA SHEET



A) SPECIFICATIONS

- 1 Plastic hinged shell: P.A.
- 2 Sealant Isobutylene strip
- 3 Inner Contact: tinned brass
- 4 16 sqmm Connection cable:
L=500 PE 7 wires copper cable.
- 5 Cable lug Ø8: Tinned copper

B) RESISTANCE TESTS

Waterproof test:

IP 68 (FIMO Test according to IEC60529 normative).

Contact Resistance $\leq 1\text{mOhm}$

Maximum current handling : 100kA

Operating temperature : $-40\text{ }^{\circ}\text{C} + 130\text{ }^{\circ}\text{C}$

C) PACKAGING INFORMATION

Packing: 1 pcs in a bag
10 bags in a box.

Label indicating:
product code, article, quantity,
production batch,
FIMO logo and figure.
(Customer code on request).

D) MOUNTING INSTRUCTIONS

IST 050

code	6115080158
article	EGK 1.5/8"

D	L		
50-52	500	10	0.135kg

RI	DATE	DR	DATE	AP	Description:
02					<i>No Tools Grounding Kit</i>
01					
00	08/04/2015	G.S.	08/04/2015	A.V.	
1 ST EMISSION					
					Use: <i>Grounding kits for coaxial cables.</i>