

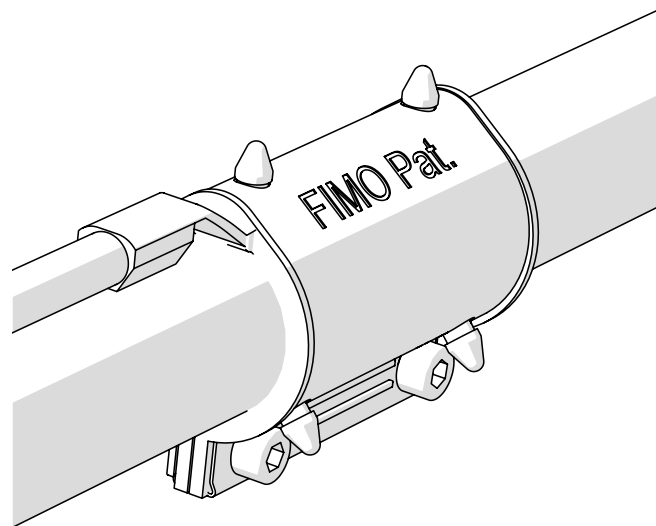
# CGK

## Grounding Kits

Copyright © Fi.Mo.Tec. S.p.A.  
www.fimoworld.com

IST. 045 - REV. 1 - 03/17

### INSTALLATION INSTRUCTIONS



### ⚠️ WARNINGS!

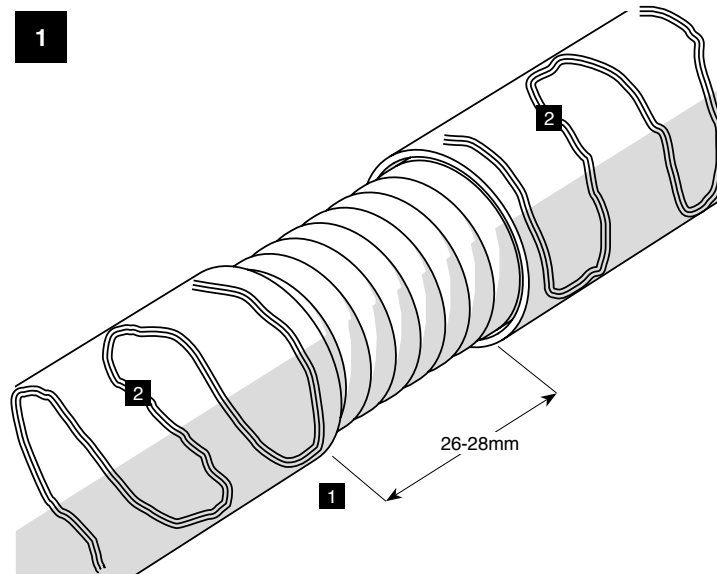
Installation of products must be performed by qualified, trained and experienced personnel. Installation personnel must be correctly and safely equipped. Mounting instructions and warnings must be read prior to installation. Warnings alert you to possible dangers about improper use of product. Failure to observe warnings may result in injury or death to you or others.



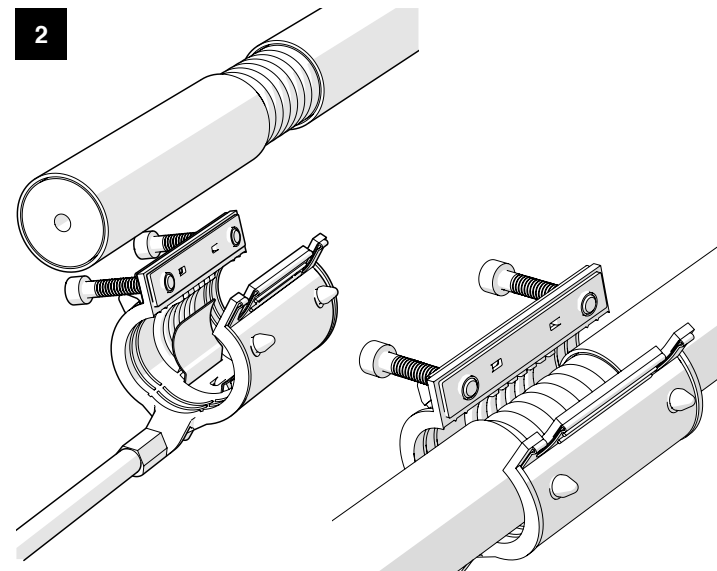
Fi.Mo.Tec. S.p.A.  
is certificated ISO 9001  
and RoHS DIRECTIVES  
compliant.



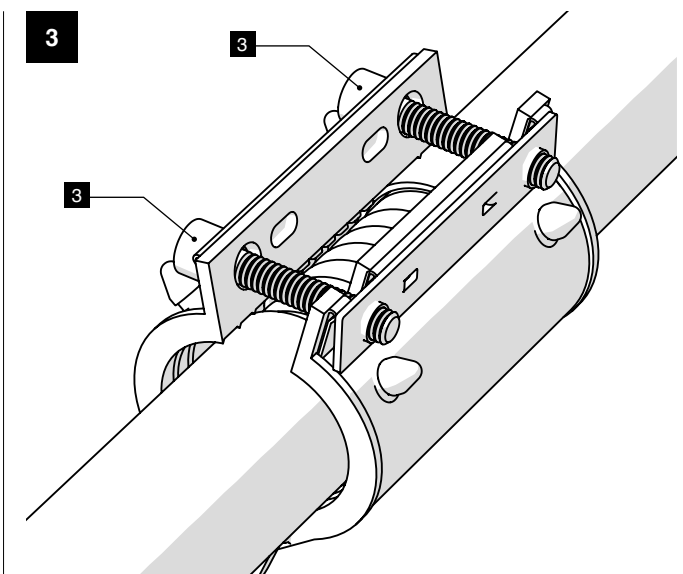
All rights reserved.  
Passing on and copying of  
this document, use and communication of its contents  
not permitted without Fi.Mo.  
Tec. S.p.A. prior consent.



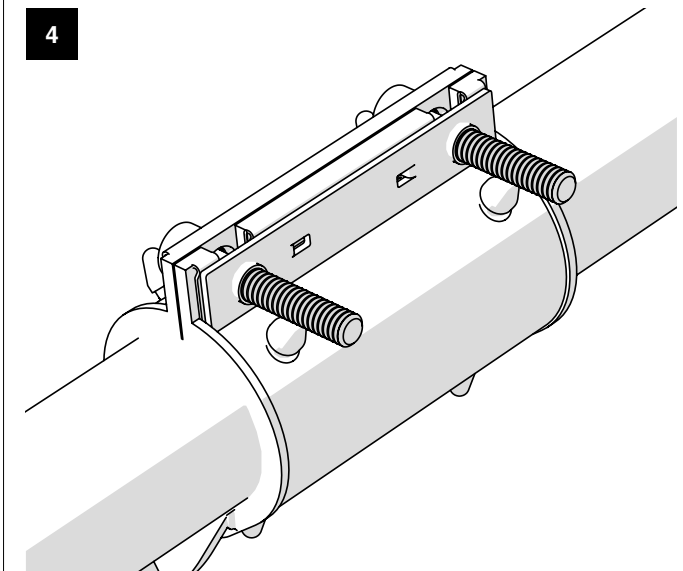
1. Strip off the cable sheath (26-28mm)
2. Lubricate with LUS, applying all around the cable



Insert CGK on cable



3. Hook the plate on shell



Tighten the screws (3-4 Nm)  
Done in a few seconds