

Train Antenna

450 – 470 MHz and 790 – 960 MHz

K702061

- Two-band antenna in fiberglass radome working in the 450 – 470 MHz and 790 – 960 MHz range.
- The antenna can be operated in both frequency ranges simultaneously by using the combiner 728954.

Type No.	K702061 602202
Input	N female
Frequency range	450 – 470 MHz and 790 – 960 MHz
VSWR	< 1.5
Gain	0 dB (ref. to the quarter-wave antenna)
Impedance	50 Ω
Polarization	Vertical
Max. power	500 W (at 50° C ambient temperature)
Radome weight	97 g [0.2 lb]
Total weight	500 g [1.1 lb]
Packing size (outside)	151 x 87 x 210 mm [5.9 x 3.4 x 8.3 inches]

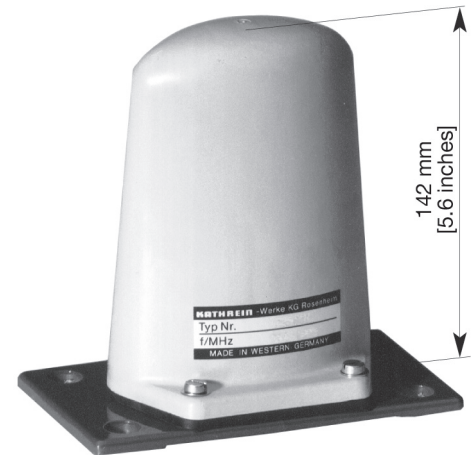
Material: Radiator: Brass.
Flange: Aluminum.
Radome: Fiberglass, color: Light grey.
All screws and nuts: Stainless steel.
Sealing: Neoprene. **Note:** Don't use detergents that might harm the sealing.

Mounting: On a conductive surface with a minimum size of 50 x 50 cm [19.7 x 19.7 inches] by means of 4 existing M10 studs.

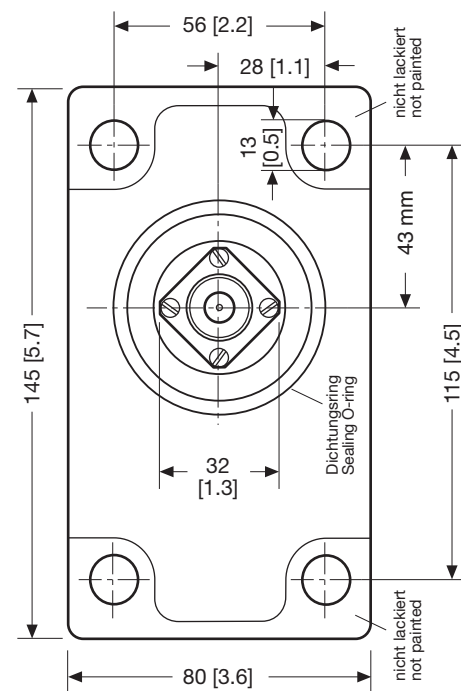
Grounding and high voltage protection: This antenna approved by the "Deutsche Bahn AG" is DC grounded to protect against lightning and high-tension lines.

Accessories: Combiner (order separately)

Type No.	728954
Pass band	
Band 1	68 – 470 MHz
Band 2	870 – 970 MHz
Insertion loss	
Port 1 ↔ Port 3	< 0.5 dB (68 – 470 MHz)
Port 2 ↔ Port 3	< 0.5 dB (870 – 970 MHz)
Isolation	
Port 1 ↔ Port 2	> 45 dB
VSWR	< 1.2
Impedance	50 Ω
Input power	
Band 1	< 50 W
Band 2	< 50 W
Intermodulation products	< -160 dBc (2nd/3rd order; with 2 x 20 W)
Temperature range	-20 ... +70 °C
Connectors	N female
Application	Indoor
DC transparency	
Port 1 ↔ Port 3	By-pass (max. 2500mA)
Port 2 ↔ Port 3	short circuited
Port 3 ↔ Port 2	stop
Weight	800 g [1.8 lb]
Packing size	285 x 55 x 125 mm [11.2 x 2.2 x 4.9 inches]
Dimensions (w x h x d)	229.4 x 32 x 111.6 mm [9.0 x 1.3 x 4.4 inches] (without connectors)



Mounting flange:



All dimensions in mm and [inches]

Mounting hole for the connector: 33 (max. 35) mm diameter.

Note: Keep mounting surface clear of paint for electrical contact.



936.672/f Subject to alteration.

Train Antenna

450 – 470 MHz and 790 – 960 MHz

K702061

KATHREIN

Fire prevention:	UL94 (HB) DIN 5510 T2 DIN EN 45545-2: 2013
IP class:	IP 66 (when product is mounted properly)
Standards:	EN 50122-1 EN 50125 EN 50155 EN 60068-2-1 EN 60068-2-2 EN 60068-2-6 EN 60068-2-27 EN 60068-2-30 EN 61373 ETS 300 019-1-2 class 2.2 ETS 300 019-1-1 T 1.2 ETS 300 019-1-5 T 5.2 ETS 300 019-2-2 T 2.2 ETS 300 019-1-2 T 1.2

936.672/f Subject to alteration.