

# Tram and Bus Antenna

## 146-174 MHz

### K50222..

- Broadband antenna in fiberglass radome.

<b>Type No.</b>		<b>K5022211</b> 601620
Input		N female
Frequency range	MHz	143 – 162 but preferred range 146 – 156
VSWR		< 1.4
Gain	dB	0 (ref. to the quarter-wave antenna)
Impedance	Ω	50
Polarization		Vertical
Max. power	W	100 (at 50° C ambient temperature)
Radome weight	g   lb	470   1.0
Total weight	g   lb	1200   2.6
Packing size	mm inches	260 x 260 x 130 10.2 x 10.2 x 5.1

<b>Type No.</b>		<b>K5022221</b> 600825
Input		N female
Frequency range	MHz	152 – 178 but preferred range 156 – 174
VSWR		< 1.4
Gain	dB	0 (ref. to the quarter-wave antenna)
Impedance	Ω	50
Polarization		Vertical
Max. power	W	100 (at 50° C ambient temperature)
Radome weight	g   lb	470   1.0
Total weight	g   lb	1200   2.6
Packing size	mm inches	260 x 260 x 130 10.2 x 10.2 x 5.1



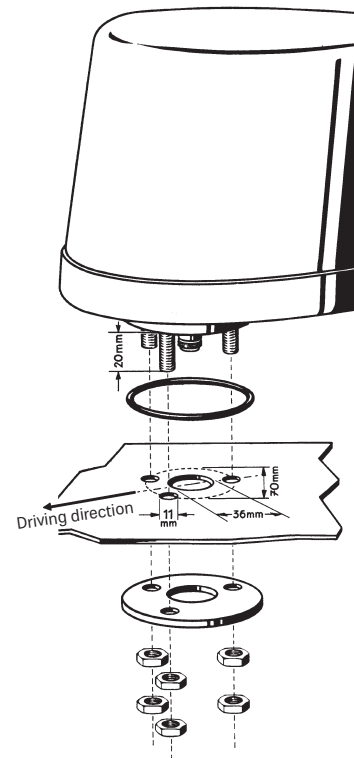
**Material:** Radiator and Base: Aluminum.  
Radome: Fiberglass, colour: Grey.  
Studs and all screws and nuts: Stainless steel.  
Sealing: Neoprene and polyurethane.  
**Note:** Don't use detergents that might harm the sealing.

**Mounting:** On a conductive surface 1.0 x 2.0 m min. with 3 studs M10 and counterflange.  
Recommended torque: 14 Nm.  
**Note:** No superstructures in this area.

**Please note:** The installation must be carried out by qualified and experienced staff. All relevant safety regulations must be upheld and respected.

**Grounding and high voltage protection:** DC grounded to protect against lightning and high-tension lines.

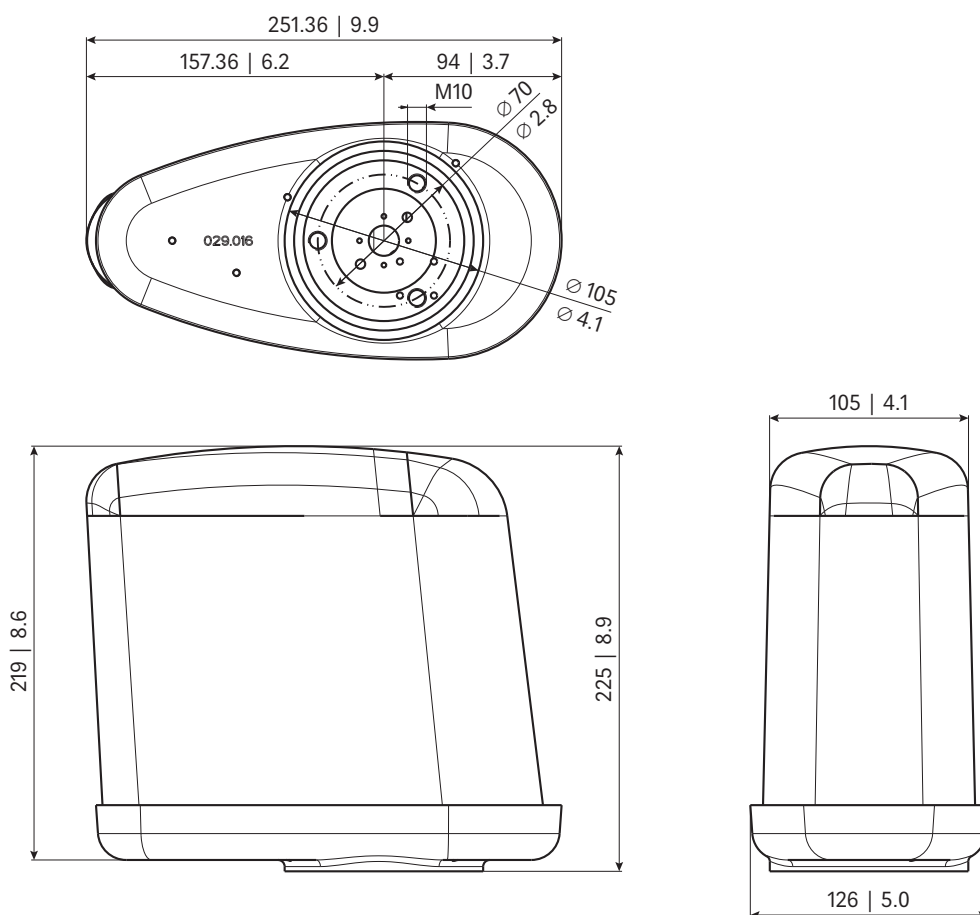
**Scope of supply:** Antenna with 3 studs, each with 2 nuts, 1 rubber gasket and 1 counterflange.



# Tram and Bus Antenna 146-174 MHz K50222..

**KATHREIN**

Fire prevention:	UL94 (HB)
IP class:	IP 66 (when product is mounted properly)
Standards:	EN 50125 EN 50155



All dimensions in mm | inches

936.045e | Subject to alteration.