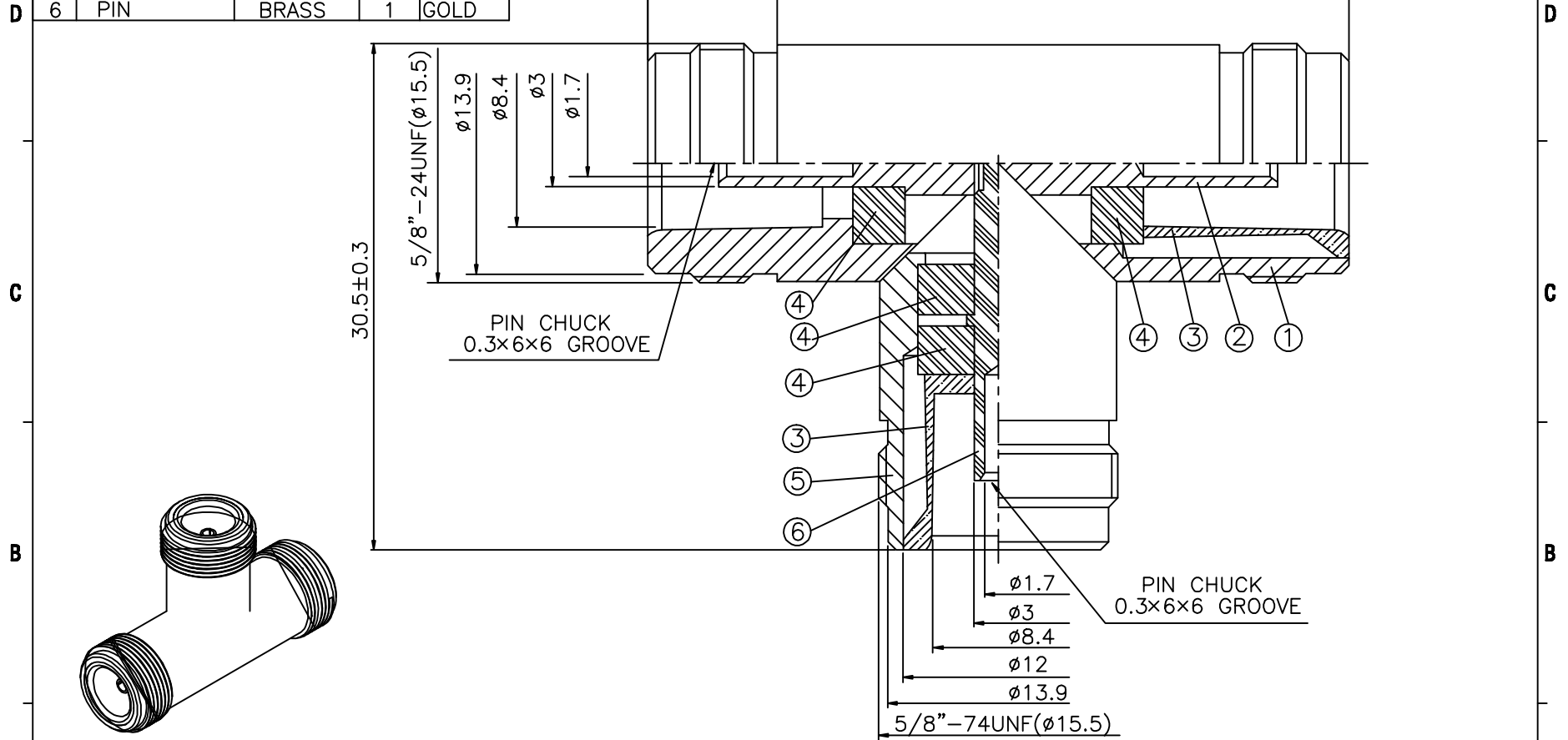
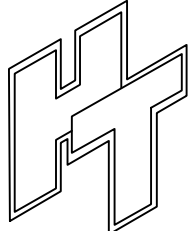


NO	DESCRIPTION	MATERIAL	Q'TY	FINISH
1	BODY	BRASS	1	NICKEL
2	PIN	BRASS	1	GOLD
3	SLEEVE	BRASS	2	NICKEL
4	INSULATION	TEFLON	4	TEFLON
5	BODY	BRASS	1	NICKEL
6	PIN	BRASS	1	GOLD



	HUS-TSAN GROUP CO., LTD. P.O.BOX 40-76.TAINAN.TAWAN,R.O.C.	DRAWN MARY CHECKED 蘇志欣 Q.A. 蘇姿潔 APPROVAL 徐燦霖 REVISION	DATE 96.06.04 DATE DATE DATE	DIMENSIONS ARE IN MILLIMETERS UNLESS OTHERWISE SPECIFIDE TOLERANCE 0.5-5=±0.2 120-315=±1 5-30=±0.4 315-1000=±1.6 30-120=±0.6 1000-2000=±2.4	REVISION DESCRIPTION ENGINEER
	TITLE N FEMALE - FEMALE - FEMALE T ADAPTOR				
	PART NO. N-09-TGN				
	DARWING NO. N 09 TGN				

4

3

2

1